

Produktbeskrivelse

These armoured mounts are compact low-profile mountings. They are easy to install and combines 3-way control of movement with relatively large deflection in the elastomer. They combine maximum anti-shock isolation and optimum vibration control, and have been specially designed for mobile equipment applications.

The main characteristic of these isolators is to gradually increase stiffness under deflection, which prevents from any sudden bottoming.

The high-resistance steel centre bolt, mechanically joined to the outer cup, affords security against breakage. This design prevents swivelling and rotation.

Anvendelse

Natural rubber NR type of high quality with an operating temperature from -40°C to $+70^{\circ}\text{C}$.

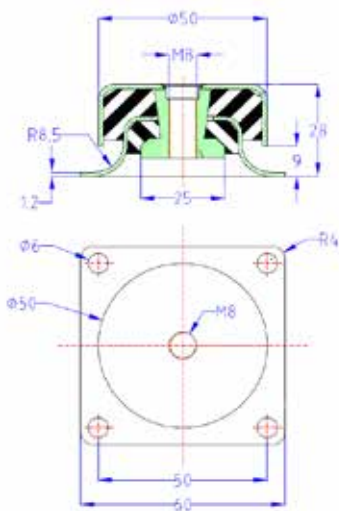
The VMQ elastomer provides the most efficient vibration damping and minimum transmissibility at resonance frequency. With an operating temperature range from -60°C to $+250^{\circ}\text{C}$.

Produktet er tilpasset mobile- og marineanlæg, hvor der ønskes stor dæmpning og god stabilitet. Har samme stivhed ned som horisontalt.

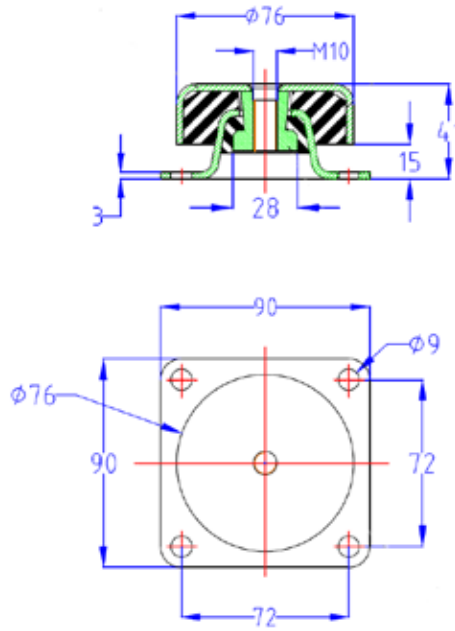


Type	Hårdhed 35 Sh(A)		Hårdhed 45 Sh(A)		Hårdhed 60 Sh(A)		Hårdhed 75 Sh(A)	
	Maks Belastning [kg]	Nedbøjning [mm]	Maks Belastning [kg]	Nedbøjning [mm]	Maks Belastning [kg]	Nedbøjning [mm]	Maks Belastning [kg]	Nedbøjning [mm]
SCM060-NR	35	$3 \pm 0,5$	60	$3 \pm 0,5$	125	$3 \pm 0,5$	200	$3 \pm 0,5$
SCM060-WMQ			75	$3 \pm 0,5$	100	$3 \pm 0,5$	150	$3 \pm 0,5$
SCM120/125-NR			80	$3,5 \pm 0,5$	200	$3,5 \pm 0,5$	300	$3,5 \pm 0,5$
SCM120/125-WMQ			80	$3,5 \pm 0,5$	160	$3,5 \pm 0,5$	250	$3,5 \pm 0,5$
SCM220/225-NR	110	$4,5 \pm 0,5$	170	$4,5 \pm 0,5$	300	$4,5 \pm 0,5$	450	$4,5 \pm 0,5$
SCM220/225-WMQ			130	$4,5 \pm 0,5$	220	$4,5 \pm 0,5$	350	$4,5 \pm 0,5$
SCM325-NR			120	$4,5 \pm 0,5$	210	$4,5 \pm 0,5$	330	$4,5 \pm 0,5$
SCM325-WMQ			130	$4,5 \pm 0,5$	220	$4,5 \pm 0,5$	350	$4,5 \pm 0,5$
SCM420/425-NR			350	$6,5 \pm 1,0$	800	$6,5 \pm 1,0$	1400	$6,5 \pm 1,0$
SCM420/425-WMQ			350	$6,5 \pm 1,0$	800	$6,5 \pm 1,0$	1100	$6,5 \pm 1,0$

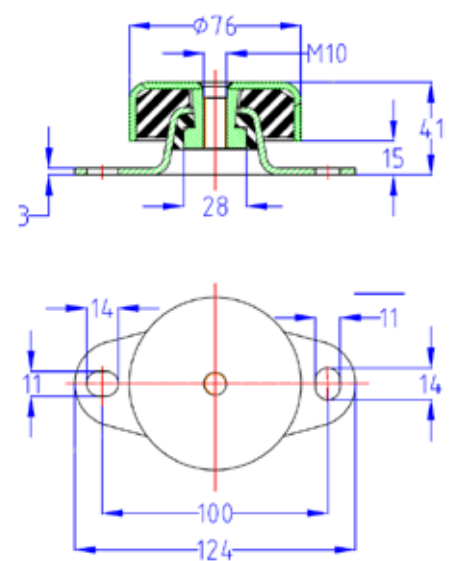
SCM060



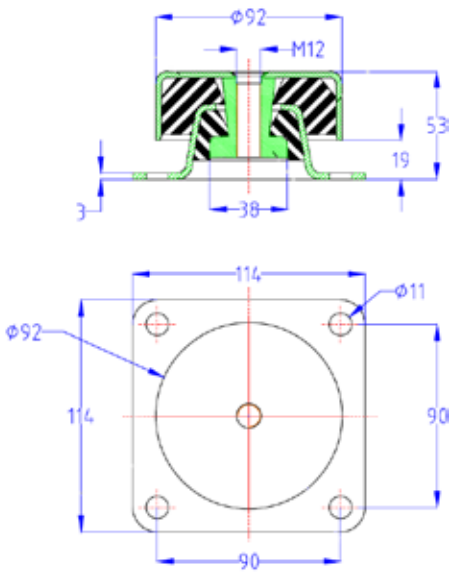
SCM120



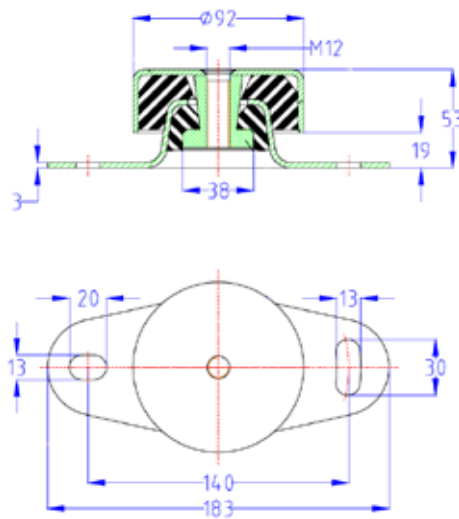
SCM125



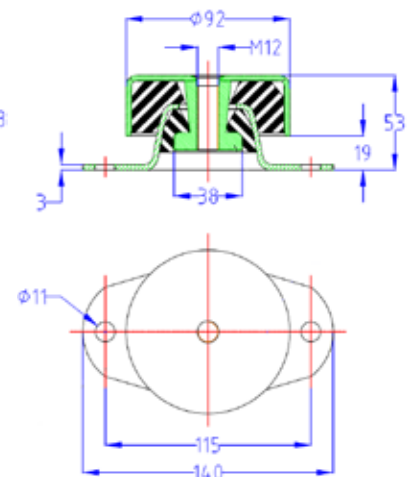
SCM220



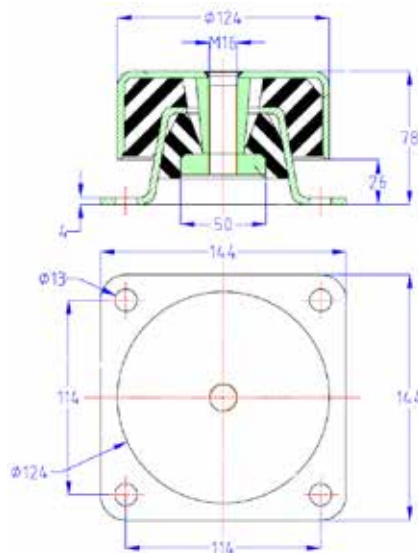
SCM225



SCM325



SCM420



SCM425

